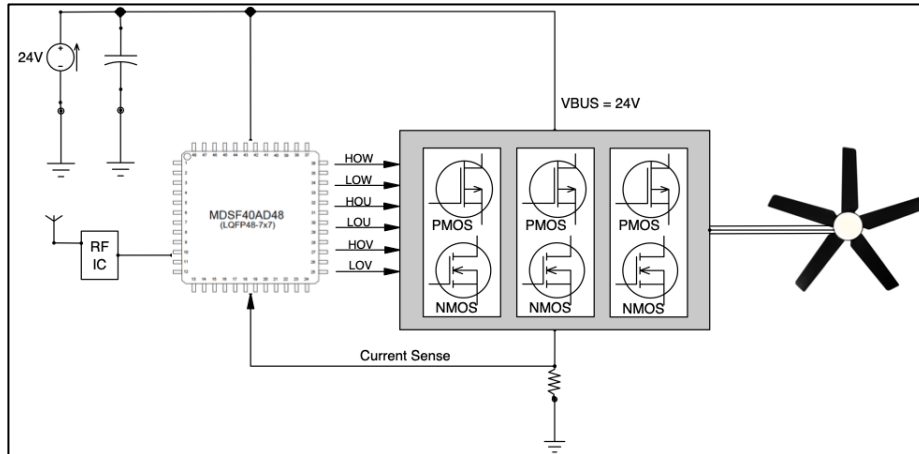


Shamrock Three-coil BLDC Ceiling Fan Solutions Summary

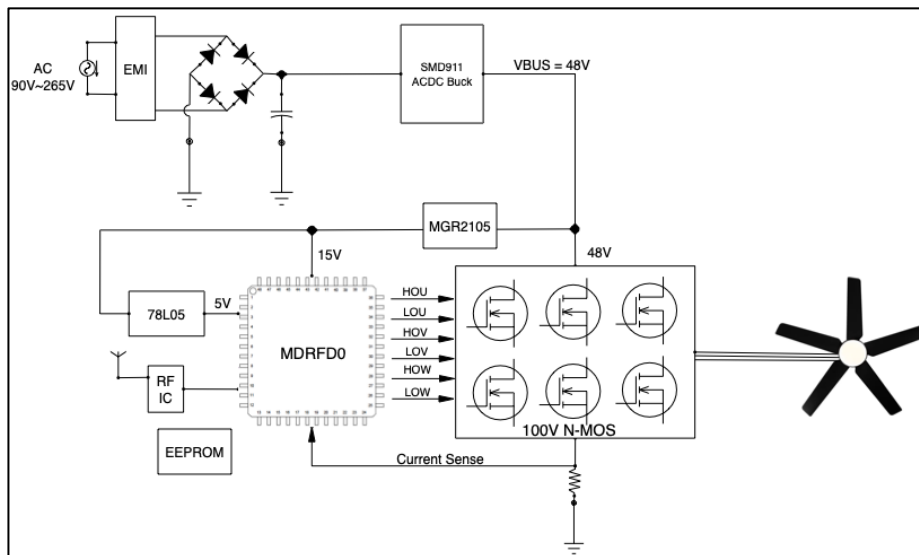
Three-coil BLDC Ceiling Fan Solutions and Key components

Controller Model	Blade	Power Supply	Input Power	RPM	MCU + Pre-driver	Inverter	Control Algorithm
SMD-D40	48"	DC 24V	24W	260	MDSF40	40V PN-MOS X3	Sensorless FOC
SMD-BD0	42"/48"	ACDC Buck Regulator 48V	30W	300	MDRFD0	100V NMOS X6	Sensorless FOC
SMD-PD0	42"/48"/52"	Active PFC Boost 400V	40W	400	MDRFD0	650V NMOS X6	Sensorless FOC

SMD-D40



SMD-BD0



SMD-PD0

